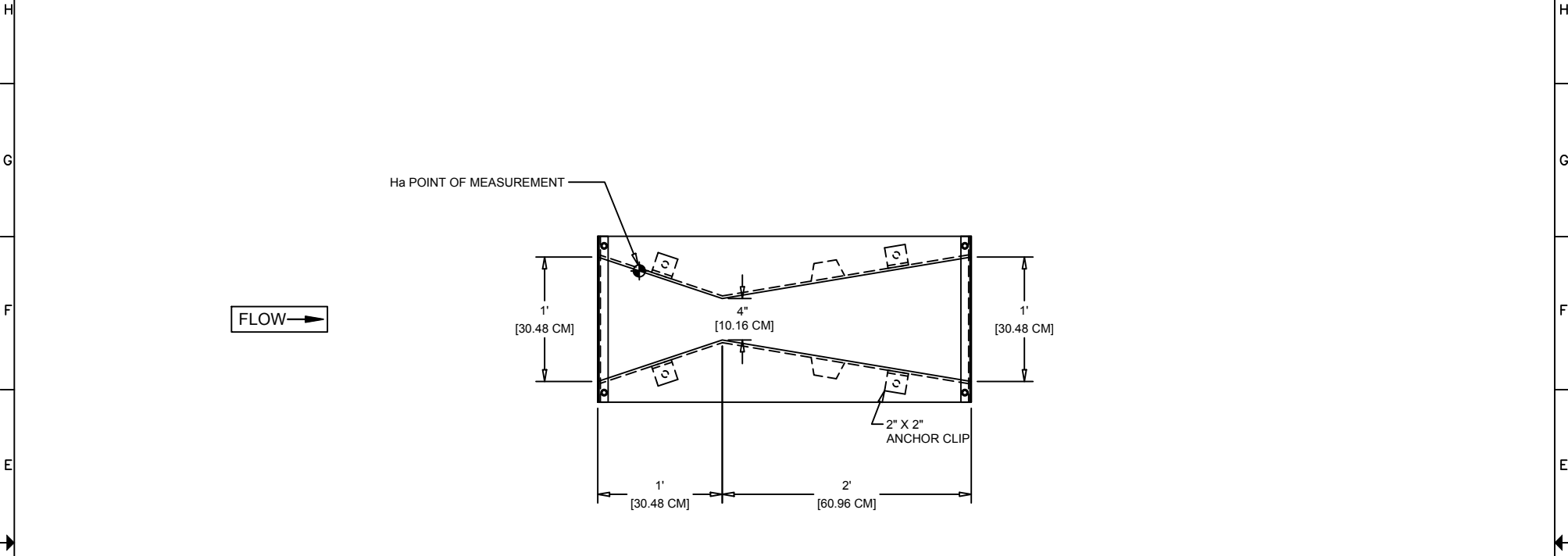
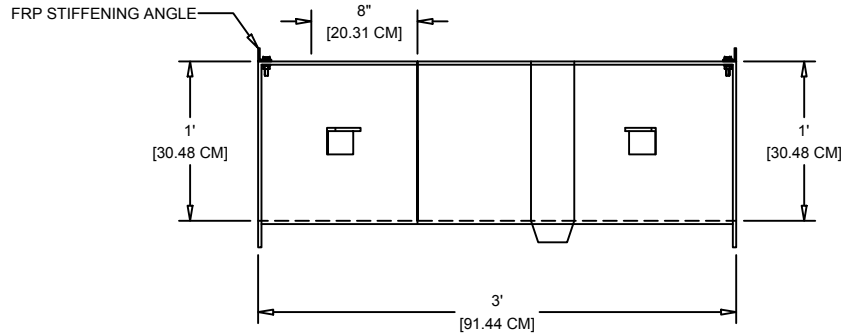


8 7 6 5 4 3 2 1

FREE-FLOW CAPACITY: 9.465 GPM [0.5972 L/S] MINIMUM - 654.8 GPM [41.32 L/S] MAXIMUM



PLAN VIEW



ELEVATION VIEW

- NOTES:
- 1) FLOW IS FROM LEFT TO RIGHT
 - 2) ALL HARDWARE TO BE STAINLESS STEEL
 - 3) ANCHOR CLIPS AND PULTRUDED FRP TOP STIFFENING ANGLES
 - 4) MINIMUM FRP LAMINATE THICKNESS IS: 1/4" [0.635 CM] WITH 30% GLASS CONTENT AND 15 MIL (MIN.) GEL COAT WITH U.V. INHIBITORS

OPENCHANNELFLOW BOISE ATLANTA	
DWG NO. C-F-36X4-N-N-N-N-N (1)	DATE 20.02.15
FIBERGLASS 36" X 4" CUTTHROAT FLUME	

This drawing and the data contained within is the sole, confidential property of OPENCHANNELFLOW.COM (OCF) and may not be copied, reproduced, disclosed to others, in whole or in part, without the prior written consent of OCF. OCF reserves the right to change any dimension, finish, material, or method of construction indicated on this drawing at will and without notice. This drawing is provided in confidence with the understanding it shall be returned to OCF upon demand.

Unless otherwise indicated, dimensions are in feet and inches, with centimeters indicated in []. Angles are in degrees.

REV	REVISION DESCRIPTION	BY	DATE

8 7 6 5 4 3 2 1